



Sweden

**SKOGSINDUSTRIERNAS  
TEKNIK AB**

Pulp and Paper Industries' Engineering Co

**SSG 1810 E**

Date  
1988-10-01

Edition  
3

Designation  
TKRR

Page  
1(2)

**Pipe fittings of chemical-resistant, glassfibre-reinforced, unsaturated ester plastic for process pipes. GAP pipe fittings. Connection sleeve with flange. PN10/6**

**Introduction**

This edition differs from Edition 2 mainly through having been adapted to the Swedish Plastic Piping Code and the corresponding Finnish Standards in this sector.

**1 Designation**

**Connection sleeve with flange SSG 1810 - Inner diameter - Type of plastic - (Reinforced)<sup>1)</sup>**

## 1.1 Example

**Connection sleeve with flange SSG 1810 - 50 - Vinyl ester**

<sup>1)</sup> If reinforced inner and barrier layers are required this must be specified in the designation.

**2 Requirements**

## 2.1 General

## 2.1.1 Material

According to the Swedish Plastic Piping Code where applicable.

## 2.1.2 Manufacture

According to the Swedish Plastic Piping Code where applicable.

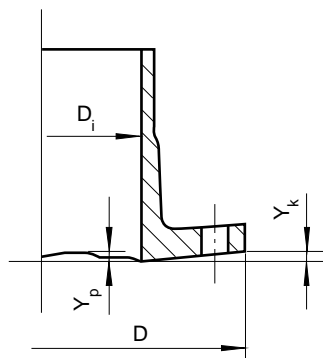
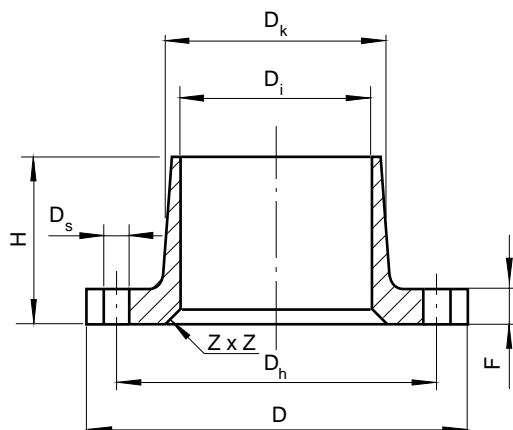
## 2.1.3 Marking

Connection sleeves with flanges shall be marked with the following information:

- Manufacturer's name or trade mark
- Type of plastic
- Pressure class (PN)
- Standard or type approval number
- Dimension (Inner diameter)
- Manufacturing date (year and month)

## 2.1.4 Flatness

According to Table 1.

**2.2 Dimensions**

Postal address  
Box 140, S-851 03 Sundsvall

Phone  
060-12 38 50

Telefax  
060-15 07 10

Number of app.