

## Pump installation

### Introduction

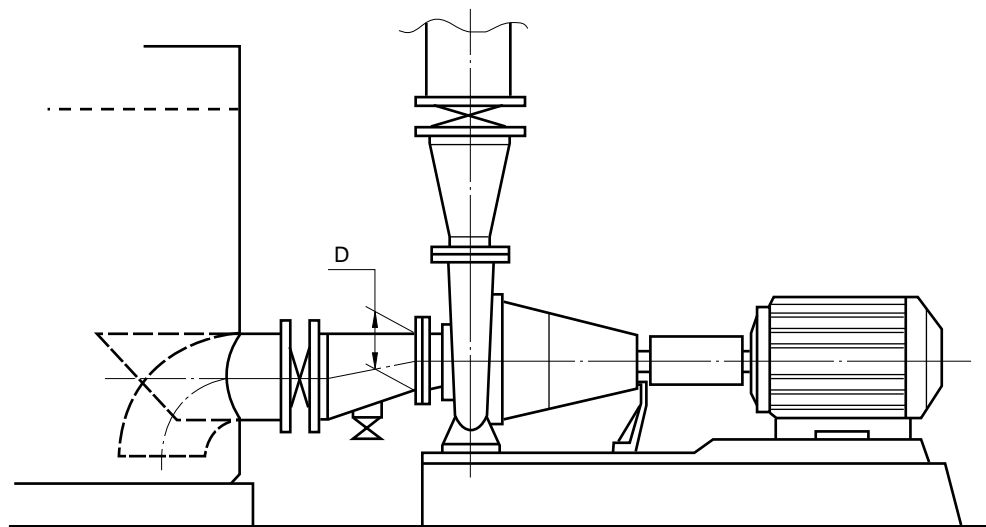
This standard gives general recommendations for the installation of pumps.

### 1 Installation

#### 1.1 Centrifugal pumps

Centrifugal pumps for water, backwater, liquors, acids and pulp.

*Figure 1. Installation of pump for media which do not require agitation*



*Figure 2. Installation of pump for dilution and for media which require agitation*

